

Sampson Mills

Window Treatments & Spatial Dividers

PINCH PLEAT | RIPPLE | S-FOLD | GROMMET

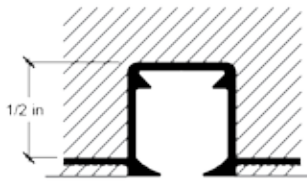
CURTAIN TRACK



Where your creativity can flourish with our ingenuity.

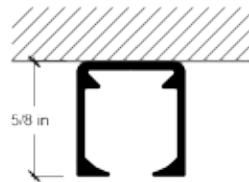
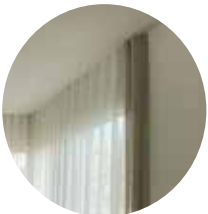


Private Residence, Surface and Recessed tracks installed by Shades By Design, Miami, FL.



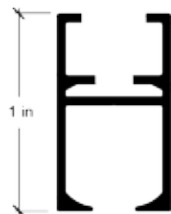
F16 - Recessed Mount

Simply drill through the track or use a nail gun on the wings when mudding track in.



FS16 - Surface Mount

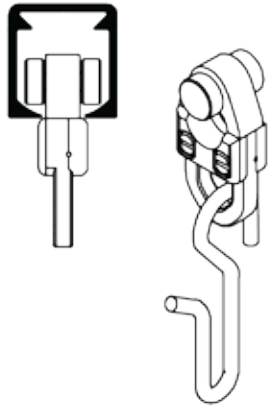
Simply drill through the track. No clamps required for install.



F120 - Suspension/ Wall Mount

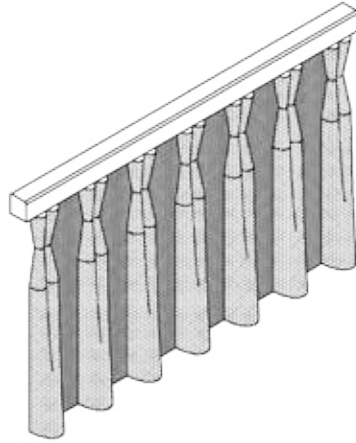
System can be mounted with adjustable suspension rods and tension cable to get around uneven ceilings or duct work.

GLIDER



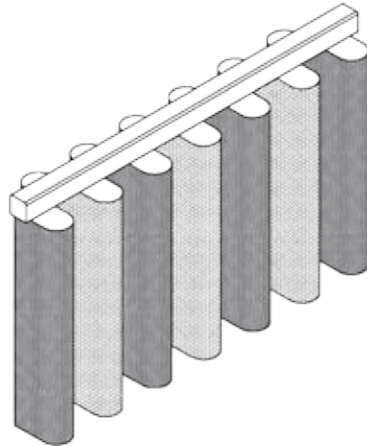
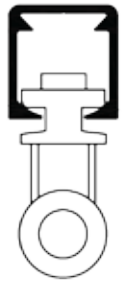
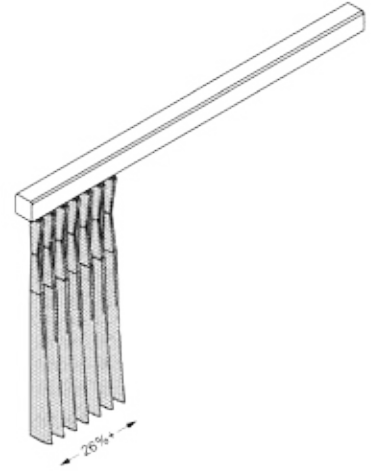
Grommet Hook
(Optional)

STYLE

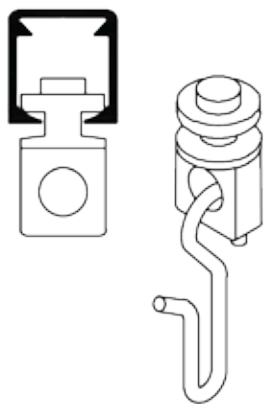
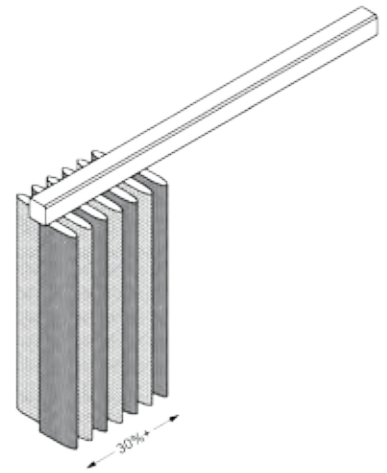


Standard/ Pinch Pleat

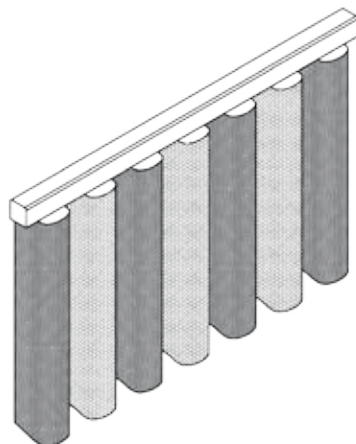
STACK*



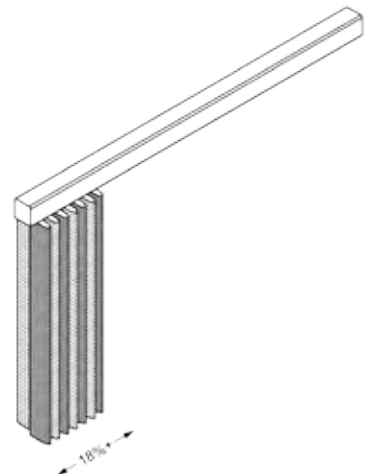
Ripple Fold



Grommet Hook
(Optional)



S-Fold



*Stack dependent on fabric.



Development Program

Please call or email us if you would like to utilize our Development Program for either private label, consulting services, or a request for product development.

*Where your
creativity can
flourish with
our ingenuity.*

Sampson Mills Ltd.

Showroom:
D&D Building
979 3rd Ave, Suite 1540
New York NY 10022

Assembly:
810 East 141st Street, 3rd Flr.
Bronx, NY, 10454

T (718) 412-9040
F (718) 412-9039
www.sampsonmills.com

