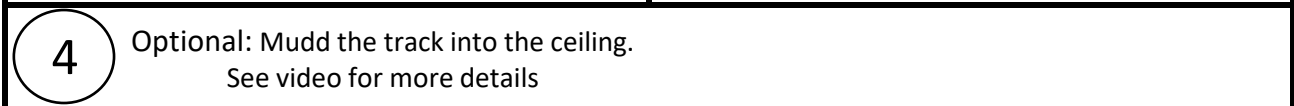
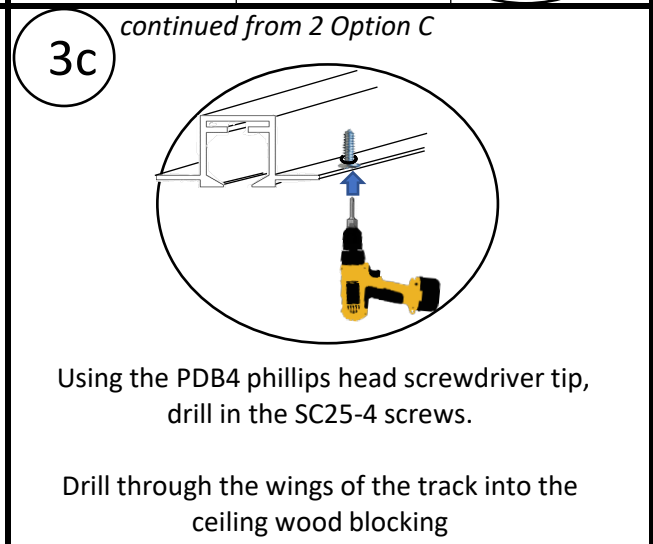
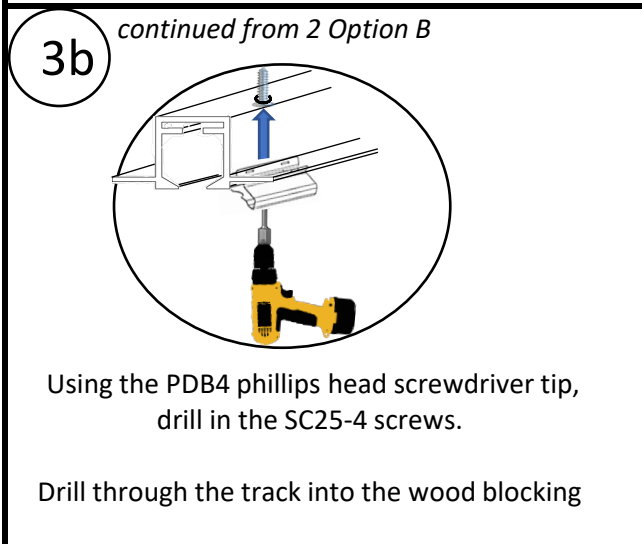
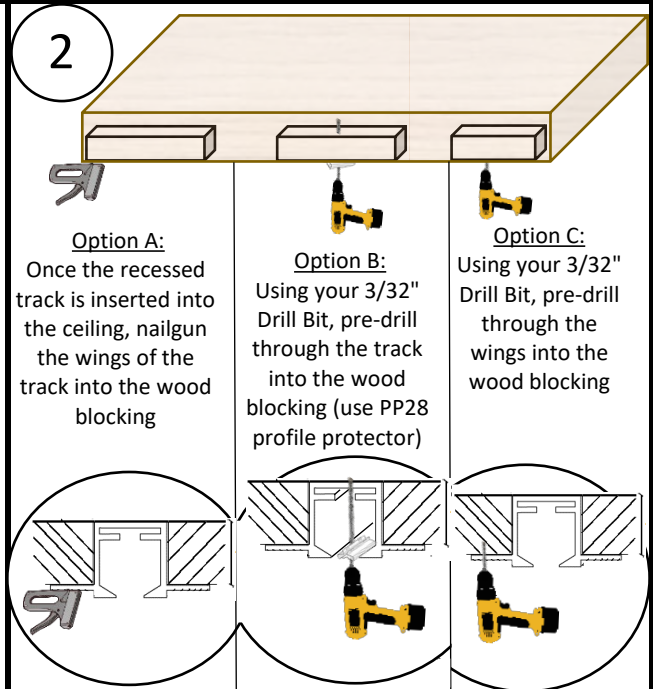
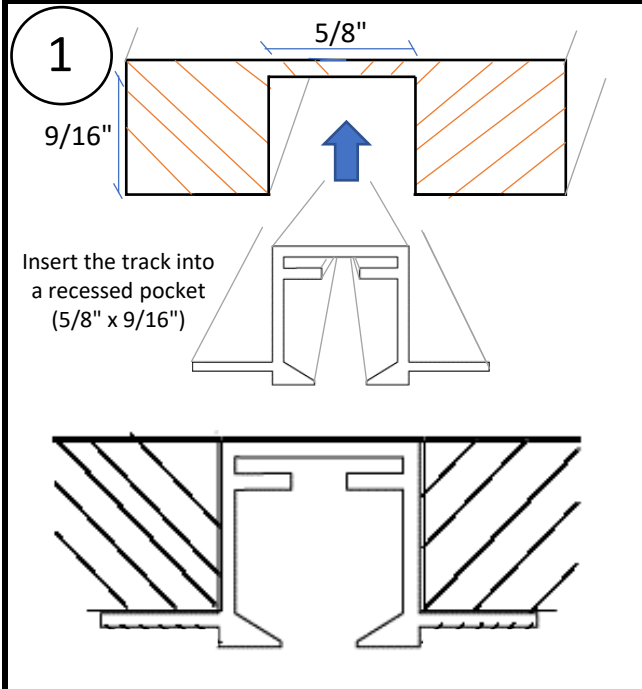
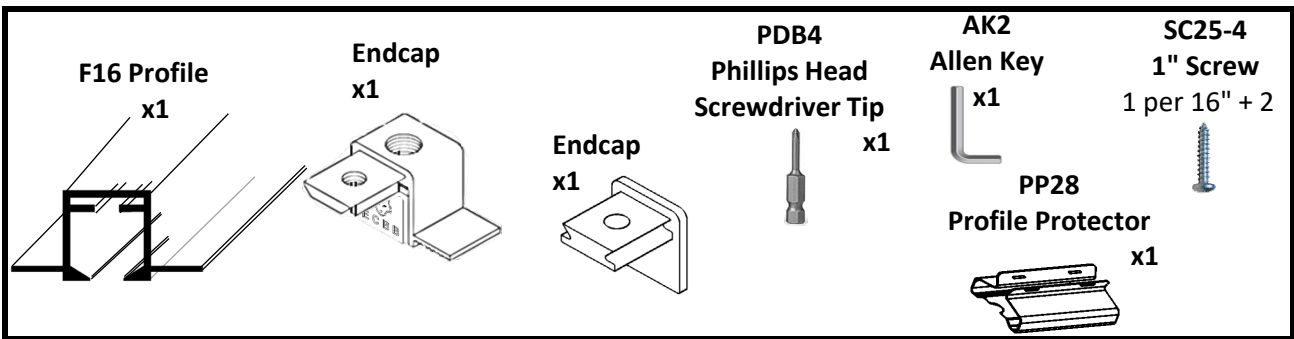


F16 Installation Instructions



For detailed installation videos visit: www.SampsonMills.com/Installation