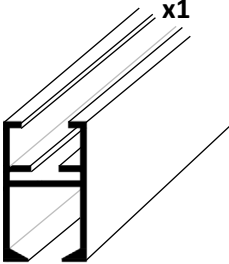
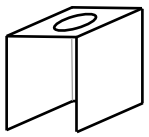


F120 Installation Instructions


F120 Profile
x1



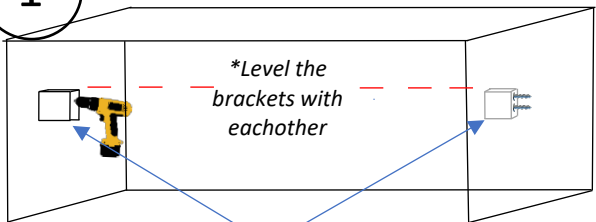
WB12 Side Wall Mount (w/ Screw)
x2



SP129 Universal Nut
x2

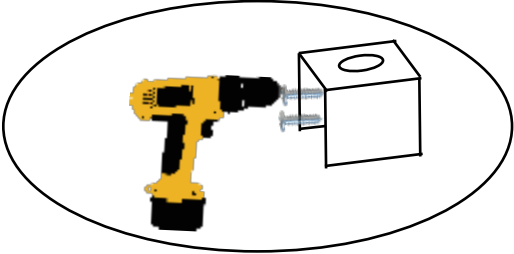


1

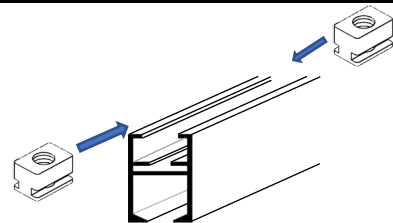


**Level the brackets with each other*

Install the WB12 Side wall brackets into the wall using (2) phillips head #8 Screws per WB12

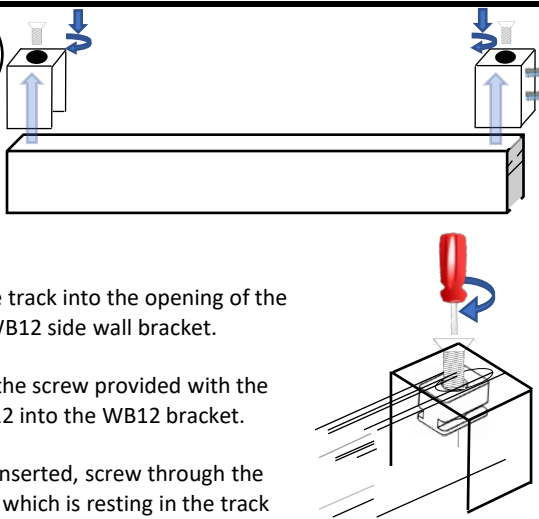


2



Insert (1) SP129 Universal Nut on each end of the profile

3



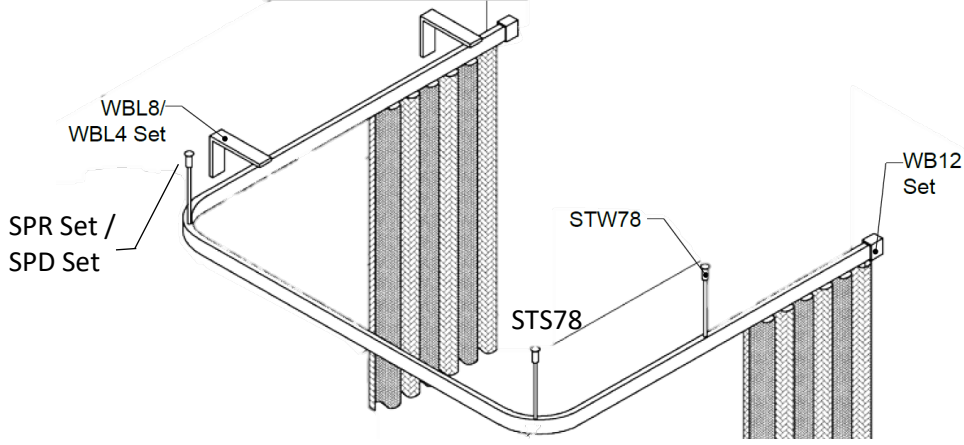
Raise the track into the opening of the WB12 side wall bracket.

Insert the screw provided with the WB12 into the WB12 bracket.

Once inserted, screw through the SP129, which is resting in the track

4

Add Additional Supports if needed



For detailed installation videos visit: www.SampsonMills.com/Installation