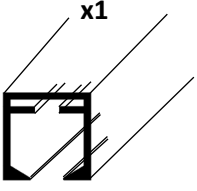



# FS16 Installation Instructions


**FS16 Profile**  
x1




**PDB4**  
Phillips Head  
Screwdriver Tip  
x1



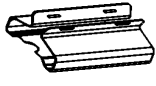
**SC25-4**  
1" Screw  
1 per 16" + 2



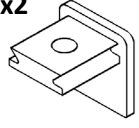
**AK2**  
Allen Key  
x1



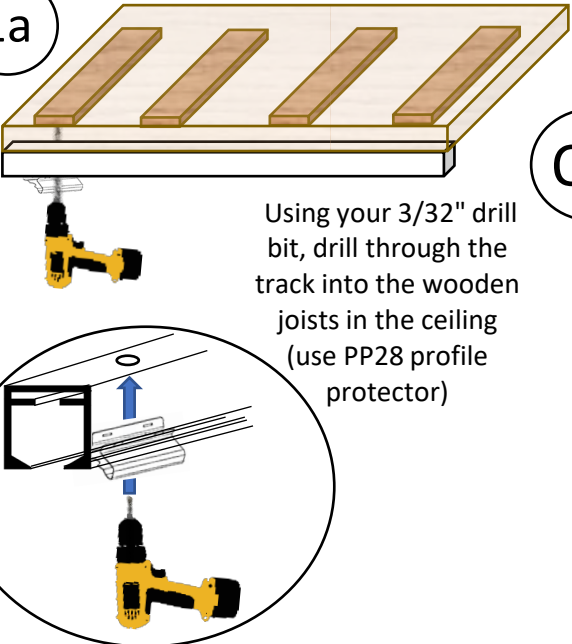
**PP28**  
Profile Protector  
x1



**Endcap**  
x2



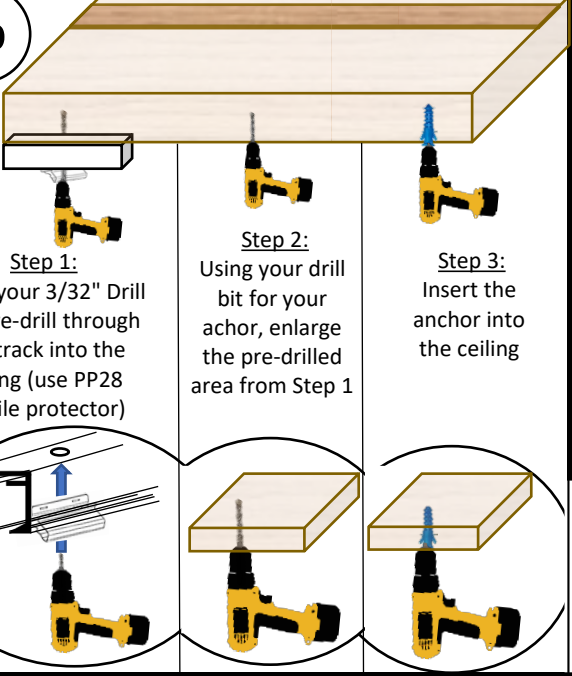
**1a**



Using your 3/32" drill bit, drill through the track into the wooden joists in the ceiling (use PP28 profile protector)

**OR**

**1b**

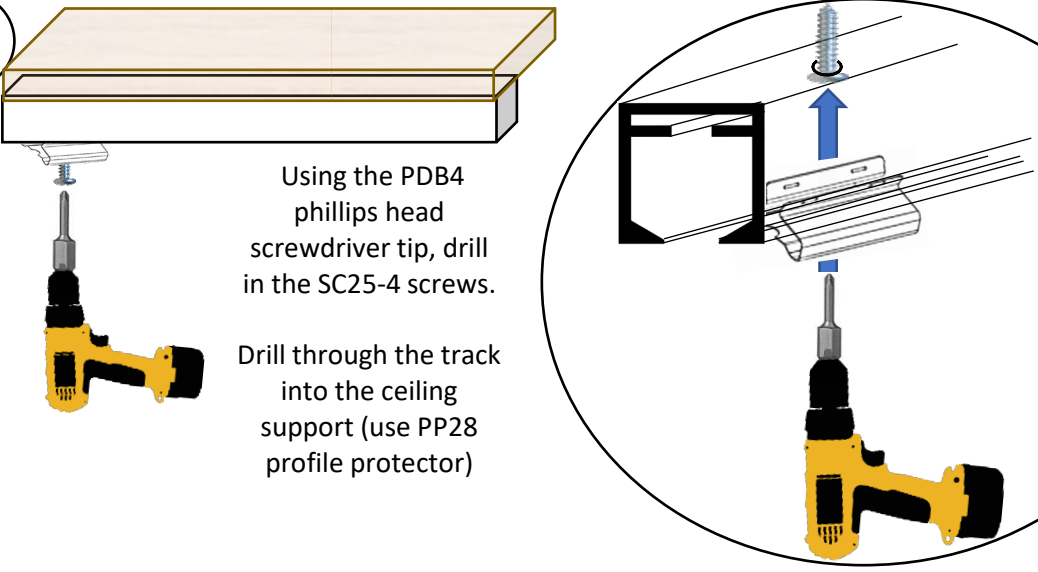


**Step 1:** Using your 3/32" Drill Bit, pre-drill through the track into the ceiling (use PP28 profile protector)

**Step 2:** Using your drill bit for your anchor, enlarge the pre-drilled area from Step 1

**Step 3:** Insert the anchor into the ceiling

**2**



Using the PDB4 phillips head screwdriver tip, drill in the SC25-4 screws.

Drill through the track into the ceiling support (use PP28 profile protector)

For detailed installation videos visit: [www.SampsonMills.com/Installation](http://www.SampsonMills.com/Installation)